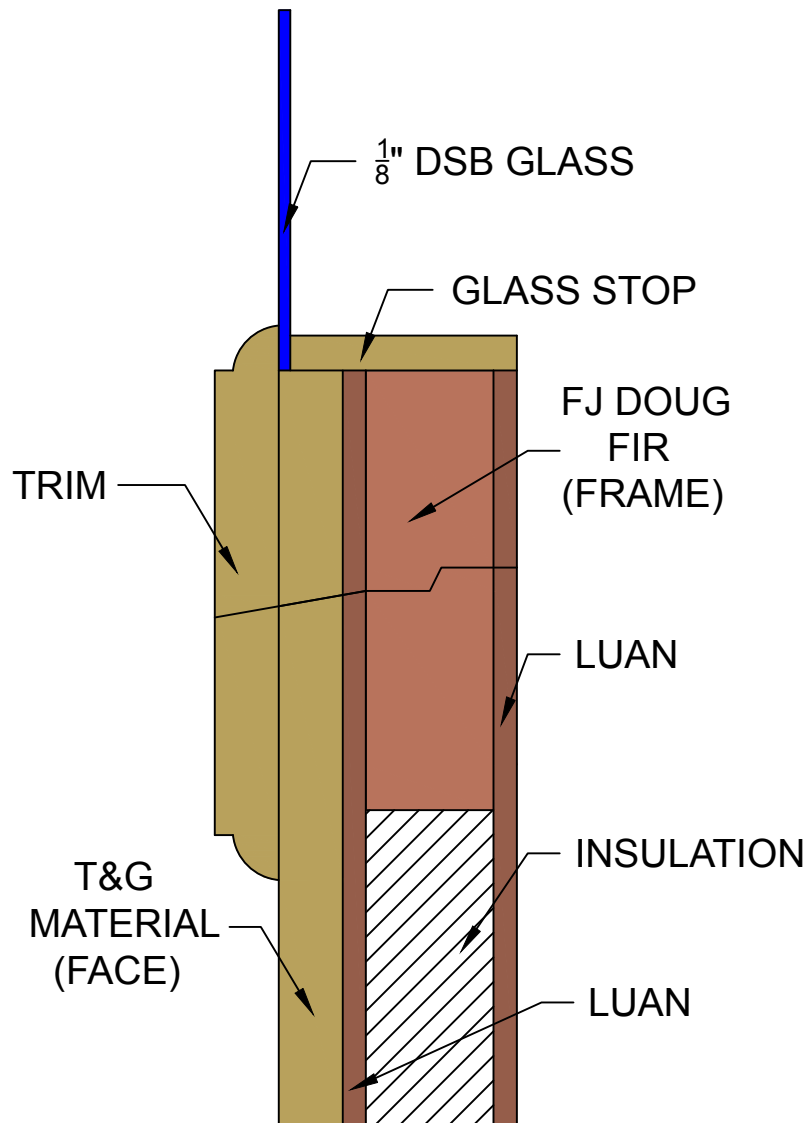


FULL CUSTOM 5 LAYER DIAGRAM



Stain/Paint Grade Tongue & Groove (unfinished) - Primed White

Back (layer 1): $\frac{1}{4}$ " Luan

Frame (layer 2): 1- $\frac{3}{8}$ " FJ(Finger Joint) Hem Fir (stiles every 24")

Insulation: 1- $\frac{3}{8}$ " Polystyrene

Face (layer 3): $\frac{1}{4}$ " Luan

Face (layer 4): Materials Vary (See Options Below)

Trim (layer 5): Materials Vary (See Options Below)

Tongue and Groove Material Options

African Mahogany, Honduras Mahogany, Alder, Knotty Alder, Clear Western Red Cedar Vertical Grain, STK Cedar, Soft maple, Hard Maple, Hemlock, Ipe, Redwood, Red Birch, White Birch, Red Oak, White Oak, Teak, Walnut and many other options.